

IMPORTANT SAFETY INFORMATION

Please read through this installation instruction so you will know how to install and operate your model properly. Keep this document in a safe place for future reference after use.

WARNING

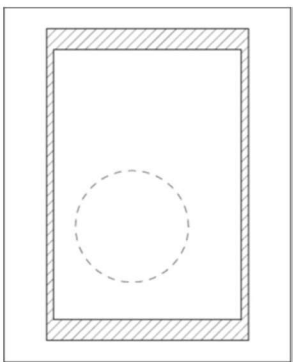
This product must be installed in accordance with the installation instruction by qualified technician. Failure to follow instruction could result in death or serious bodily injury.

CAUTION

This product must be serviced by qualified personnel. ALWAYS unplug the power cord or turn off the circuit breaker before service.

PACKAGE CONTENTS

Cabinet



(x1)

Glass Shelf



(x2)

Shelf Support Pin



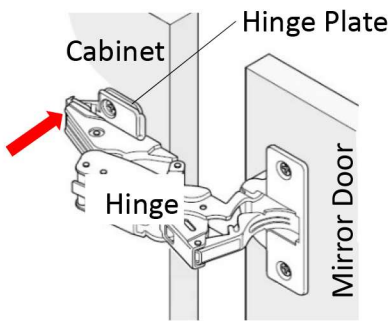
(x8)

Wood Screw

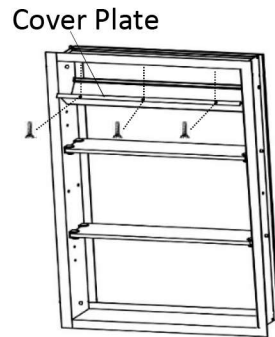


(x4)

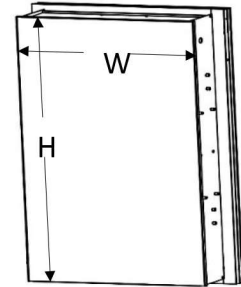
INSTALLATION



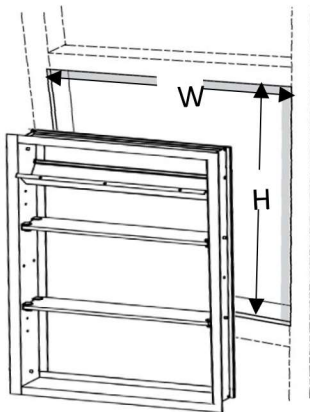
1. Unplug the cable from the Mirror Door to electrical enclosure. Remove the Mirror Door by pushing on the tab behind the Hinge to detach the hinge from the Hinge Plate.



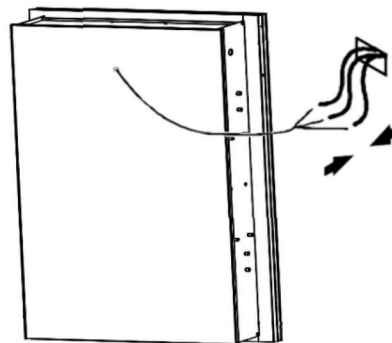
2. Loosen the electrical enclosure Cover Plate by removing the 3 screws and pivot down the Cover Plate.



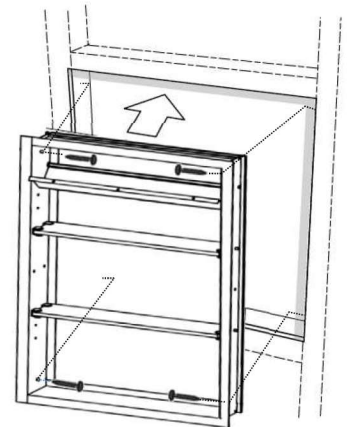
3. Measure the W (width) and the H (height) of the back of the cabinet



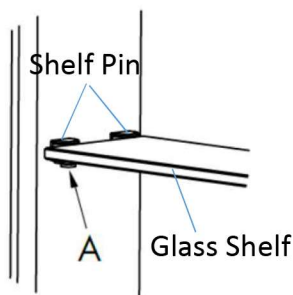
4. Frame out the wall cavity so the cabinet fits tightly into the recess.



5. Connect to 110V power supply.



6. Insert and secure the cabinet to the recess with provided screws.



8. Reinstall the Cover Plate and the Mirror Door(s)

7. Insert Shelf Pins to desired height. Slide the Glass Shelf into position and tighten the plastic set screw (A)



- This mirror is NOT designed to work with dimmable wall switch.